



DeviceMaster® UP DB9 2-Port 1E and 2E

Part Numbers: 99551-7 (2P, 1E) 99561-6 (2P, 2E)



KEY FEATURES AND BENEFITS

- DualConnectPlus™ Technology – simultaneously connect both serial and Ethernet devices to PLCs and/or applications. String, RFID, and barcode data filtering eliminates redundant data while extracting the RFID and barcode parameters.
- Provide PLC connectivity – to standard serial devices with protocol support for EtherNet/IP, PROFINET, Modbus/TCP, Modbus RTU/ASCII, and TCP/IP
- Supported PLC models – EtherNet/IP: Allen Bradley ControlLogix Family, SLC 5/05, PLC-5, MicroLogix PROFINET: Siemens ET 400, 300 S7 Modbus: Modicon Quantum, Premium, Momentum, Compact, Micro, GE Fanuc Rx7i, Rx3i, 90-70, 90-30, Versamax
- Wide - 37° to 74°C extended temperature range for harsh environments
- Variable power input – eliminates need for power converters between multiple units
- PortVision® DX monitoring and management software
- Security Features – SSL & SSH management, SSL serial data stream encryption
- RoHS2 compliant under CE

PRODUCT DESCRIPTION

At Control, we believe gateways should be intelligent, robust, and easy to use.

The DeviceMaster UP provides innovative EtherNet/IP, Modbus, and Profinet IO connectivity to a wide variety of devices. It can enable you to quickly connect PLCs, SCADA, OPC Servers and applications to devices such as barcode scanners, RFID readers, weigh scales, vision systems, printers, encoders, HVAC and

sensors.

With its simplified web-based configuration pages, innovative functionality and informative diagnostic information, the DeviceMaster UP provides the functionality required to make your job easier.



DEVICEMASTER SPECIFICATIONS

HARDWARE

Bus Interface Specification

10/100BASE-T

Memory

SDRAM	8 MB
Flash	4 MB

Enclosure

UL94-V0 Plastic

Installation Method

DIN rail (35mm)

LED Indicators

Status, Ethernet Link/Activity

Dimensions

1E	4.6" x 3.9" x 0.9" 116.8 x 99 x 22.9 mm
2E	4.6" x 3.9" x 1.8" 116.8 x 99.1 x 45.7 mm

Product Weight

1E	4.6 oz 0.130 kg
2E	6.5 oz 0.184 kg

ELECTRICAL SPECIFICATIONS

Device

DC Input Voltage	6-30V
Current Consumption (+24VDC)	
1E	65 mA
2E	85 mA

Power Consumption (max.)

1E	1.56 W
2E	2.0 W

Power Input Redundancy

Dual Redundant Power Input

ESD Surge Protection

Provided minimum of 25KV protection for all serial lines. All Ethernet components are rated to 1.5KV magnetic surge protection.

ENVIRONMENTAL SPECIFICATIONS

Air Temperature

System On	-37° C to 74° C
System Off	-40° C to 85° C

Operating Humidity

(Non-Condensing) 5% to 95%

Altitude

0 to 10,000 Feet
3,048 m

Heat Output

1E	5.3 BTU/Hr
2E	6.8 BTU/Hr

Mean time between failures

1E	58.8 Years
2E	49.5 Years

SERIAL COMMUNICATIONS

Connector Type

DB9 Male

Number of Ports

2

Software Selectable Interfaces

RS-232, RS-422, RS-485 2-Wire, RS-485 4-Wire (Master/Slave)

Baud Rates

Receive Buffer	300bps to 230.4 Kbps
Transmit Buffer	1024 Bytes
	256 Bytes

Data Bits

7 or 8

Parity

Odd, Even, None

Stop Bits

1 or 2

Flow Control

Hardware, Software or None

ETHERNET SPECIFICATIONS

Network Protocols

ARP, BOOTP, DHCP, HTTP, ICMP, Ping, RARP, RFC 1006 (ISO over TCP), RFC 2217, SNMP (MIB-II), TCP/IP, Telnet, TFTP, and UDP socket services

Connector Type

RJ45F Auto MDI/MDI-X

Number of Ports

1E	1
2E	2

INDUSTRIAL PROTOCOLS

EtherNet/IP

Modbus/TCP

PROFINET IO

EXPORT INFORMATION

Packaged Shipping Weight

1E	1.0 lbs 0.45 kg
2E	1.1 lbs 0.50 kg

Package Dimensions

9.25" x 2.5" x 7.25"
23.5 x 63.5 x 184.2 mm

UPC Code

1E	7-56727-99551-7
2E	7-56727-99561-6

Country of Origin

USA

ECCN

5A992

Schedule B Number

8471.80.1000

REGULATORY STANDARDS

Emissions

FCC PART 15 SUBPART B
CLASS A LIMIT
AS/NZS CISPR 22
European Standard EN55022
Canadian EMC Requirements
ICES-003

Immunity

European Standard EN55024
IEC 1000-4-2/EN61000-4-2: ESD
IEC 1000-4-3/EN61000-4-3: RF
IEC 1000-4-4/EN61000-4-4: Fast Transient
IEC 1000-4-5/EN61000-4-5: Surge
IEC 1000-4-6/EN61000-4-6: Conducted Disturbance
IEC 1000-4-8/EN61000-4-8: Magnetic Field
IEC 1000-4-11/EN61000-4-11: Dips and Voltage Variations

Safety

IEC 60950/EN60950 (RECOGNIZED)
CSA C22.2 No. 50/UL60950 Third Edition

Other

RoHS2 compliance under CE
NEMA TS2 Compliant

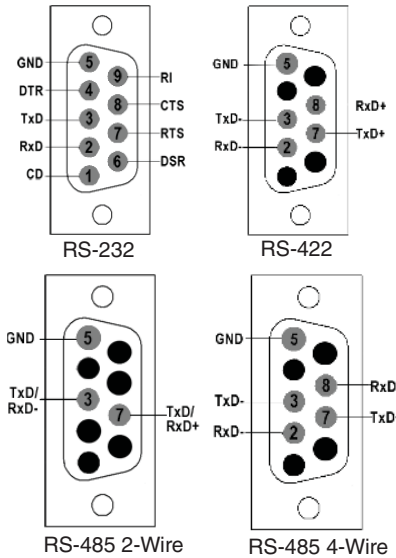
FEATURES

SNMP Support Monitoring Only

REGULATORY APPROVAL MARKS



PIN ASSIGNMENTS



Warranty Information

Control offers a 30-day satisfaction guarantee and 5-year limited warranty.

Sales Support

+1.763.957.6000
sales@comtrol.com

Technical Support

+1.763.957.6000
www.comtrol.com/support

Email, FTP, and Web Support

info@comtrol.com
ftp.comtrol.com
www.comtrol.com