



DeviceMaster® UP 4-Port VDC Modbus

Part Number: 99521-0

DEVICE SERVER



KEY FEATURES AND BENEFITS

- Highly flexible and unique Modbus functionality
- Multiple Modbus master and slave types
- Raw/ASCII Serial and Ethernet device support
- Variable power input eliminates need for power converters
- Dual Ethernet ports for daisy chaining network connections between multiple units
- RoHS2 compliant under CE

PRODUCT DESCRIPTION

The DeviceMaster UP has been designed to meet the demands of today's increasingly diverse Modbus installations.

Control has developed three unique Modbus firmware applications that provide a wide range of Modbus connectivity. Simple connections or complex Modbus networks, you can do it all with a DeviceMaster UP.

Highly flexible and robust, the DeviceMaster UP provides connectivity between a vast array of Modbus controllers and devices. Simplified configuration pages, innovative functionality and informative diagnostic information all make for quick and easy set-up of even the most complex Modbus installations.



connect. communicate. control.

DEVICEMASTER SPECIFICATIONS

HARDWARE

Product Dimensions	10.72" x 6.3" x 1.5" 27.23 x 16 x 3.81 cm
Serial Connectors	(4) DB9 Male
Ethernet Ports	(2) 10/100 BaseT
Processor	ARM7 44Mhz
Memory	
8MB	RAM
4MB	Flash
Mounting Options	Panel/Rack
LED Indicators	
Status, Ethernet Link/Activity, Collision, 100MB Ethernet, RX/TX Per Port	
Housing	
Rugged Steel Construction	

ELECTRICAL SPECIFICATIONS

Device Requirements	5 to 30 VDC
Device Consumption	2.5 Watts
External Power Supply	(Included)
Input	90 to 260 VAC @ 47-63Hz
Output	500mA @ 24 VDC
Surge Protection	15KV

ENVIRONMENTAL SPECIFICATIONS

Operating Temperature	-37° C to 74° C
Storage Temperature	40° C to 85° C
Humidity (non-condensing)	
System On	20% to 80%
System Off	8% to 80%
Altitude	
	0 to 10,000 Ft
	0 to 3,048 m
Heat Output	8.5 BTU/Hr
Mean time between failures	46.2 Years

SERIAL COMMUNICATIONS

Software Selectable	RS-232/422/485
Baud Rates	50 bps to 230 Kbps
Data Bits	7 or 8
Parity	Odd, Even, None
Stop Bits	1 or 2

COMMUNICATION MODES

Modbus/TCP to Serial or Ethernet TCP/IP
 Modbus/TCP to Modbus/RTU
 Modbus/TCP to raw serial data
 Modbus/RTU Device (Auto Locate and Auto Route)

NETWORK PROTOCOLS

Telnet, HTTP, SNMP, DHCP, RARP, ARP, BOOTP, Ping

EXPORT INFORMATION

Packaged Shipping Weight	7.08lbs 3.21 kg
Package Shipping Dimensions	14.9" x 4" x 10.9" 37.85 x 10.16 x 27.69 cm
UPC Code	7-56727-99521-0
ECCN	5A992
Schedule B Number	8471.80.1000

REGULATORY STANDARDS

Immunity	EN55024, EN6100042, EN6100043, EN6100044, EN6100045, EN6100046, EN6100048, EN61000411, IEC 100042, IEC 100043, IEC 100044, IEC 100045, IEC 100046, IEC 100048, IEC 1000411
Emission	EN55022 & A1:2000 IEC 100032, IEC 100033, CISPR22, ICES003
Safety	EN60950, IEC 60950, CSA C22.2 No. 50/UL60950
Other	RoHS2 compliant under CE

FEATURES

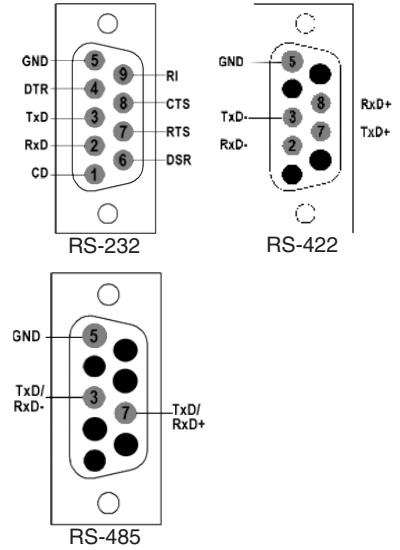
Easy Setup
 Software Selectable Serial Port Interface
 PortVision Remote Management Software
 PLC based or Web based Serial Port Configuration
 Watchdog Reset

REGULATORY APPROVAL MARKS

ODVA Certified
 PIC Certified



PIN ASSIGNMENTS



Warranty Information
 Control offers a 30-day satisfaction guarantee and 5-year limited warranty.

Sales Support
 +1.763.957.6000
 sales@comtrol.com

Technical Support
 +1.763.957.6000
 www.comtrol.com/support

Email, FTP, and Web Support
 info@comtrol.com
 ftp.comtrol.com
 www.comtrol.com