



## DeviceMaster® UP 4-Port VDC Modbus

Part Number: 99521-0

DEVICE SERVER



### KEY FEATURES AND BENEFITS

- Highly flexible and unique Modbus functionality
- Multiple Modbus master and slave types
- Raw/ASCII Serial and Ethernet device support
- Variable power input eliminates need for power converters
- Dual Ethernet ports for daisy chaining network connections between multiple units
- RoHS2 compliant under CE

### PRODUCT DESCRIPTION

The DeviceMaster UP has been designed to meet the demands of today's increasingly diverse Modbus installations.

Control has developed three unique Modbus firmware applications that provide a wide range of Modbus connectivity. Simple connections or complex Modbus networks, you can do it all with a DeviceMaster UP.

Highly flexible and robust, the DeviceMaster UP provides connectivity between a vast array of Modbus controllers and devices. Simplified configuration pages, innovative functionality and informative diagnostic information all make for quick and easy set-up of even the most complex Modbus installations.



connect. communicate. control.

# DEVICEMASTER SPECIFICATIONS

## HARDWARE

|                           |   |
|---------------------------|---|
| <b>Product Dimensions</b> | 10.72" x 6.3" x 1.5"<br>27.23 x 16 x 3.81 cm                              |
| <b>Serial Connectors</b>  | (4) DB9 Male  |
| <b>Ethernet Ports</b>     | (2) 10/100 BaseT  |
| <b>Processor</b>          | ARM7 44Mhz  |
| <b>Memory</b>             | RAM<br>Flash  |
| <b>Mounting Options</b>   | Panel/Rack  |
| <b>LED Indicators</b>     | Status, Ethernet Link/Activity, Collision, 100MB Ethernet, RX/TX Per Port |
| <b>Housing</b>            | Rugged Steel Construction   |

## ELECTRICAL SPECIFICATIONS

|                              |                         |
|------------------------------|-------------------------|
| <b>Device Requirements</b>   | 5 to 30 VDC             |
| <b>Device Consumption</b>    | 2.5 Watts               |
| <b>External Power Supply</b> | (Included)              |
| <b>Input</b>                 | 90 to 260 VAC @ 47-63Hz |
| <b>Output</b>                | 500mA @ 24 VDC          |
| <b>Surge Protection</b>      | 15KV                    |

## ENVIRONMENTAL SPECIFICATIONS

|                                   |                                |
|-----------------------------------|--------------------------------|
| <b>Operating Temperature</b>      | -37° C to 74° C                |
| <b>Storage Temperature</b>        | 40° C to 85° C                 |
| <b>Humidity (non-condensing)</b>  | System On<br>System Off        |
| <b>Altitude</b>                   | 0 to 10,000 Ft<br>0 to 3,048 m |
| <b>Heat Output</b>                | 8.5 BTU/Hr                     |
| <b>Mean time between failures</b> | 46.2 Years                     |

## SERIAL COMMUNICATIONS

|                            |                    |
|----------------------------|--------------------|
| <b>Software Selectable</b> | RS-232/422/485     |
| <b>Baud Rates</b>          | 50 bps to 230 Kbps |
| <b>Data Bits</b>           | 7 or 8             |
| <b>Parity</b>              | Odd, Even, None    |
| <b>Stop Bits</b>           | 1 or 2             |

## COMMUNICATION MODES

Modbus/TCP to Serial or Ethernet TCP/IP  
Modbus/TCP to Modbus/RTU  
Modbus/TCP to raw serial data  
Modbus/RTU Device (Auto Locate and Auto Route)

## NETWORK PROTOCOLS

Telnet, HTTP, SNMP, DHCP, RARP, ARP, BOOTP, Ping

## EXPORT INFORMATION

|                                    |  |
|------------------------------------|--|
| <b>Packaged Shipping Weight</b>    | 7.08lbs<br>3.21 kg                             |
| <b>Package Shipping Dimensions</b> | 14.9" x 4" x 10.9"<br>37.85 x 10.16 x 27.69 cm |
| <b>UPC Code</b>                    | 7-56727-99521-0                                |
| <b>ECCN</b>                        | 5A992  |
| <b>Schedule B Number</b>           | 8471.80.1000                                   |

## REGULATORY STANDARDS

|                 |  |
|-----------------|--|
| <b>Immunity</b> | EN55024, EN6100042, EN6100043, EN6100044, EN6100045, EN6100046, EN6100048, EN61000411, IEC 100042, IEC 100043, IEC 100044, IEC 100045, IEC 100046, IEC 100048, IEC 1000411 |
| <b>Emission</b> | EN55022 & A1:2000 IEC 100032, IEC 100033, CISPR22, ICES003   |
| <b>Safety</b>   | EN60950, IEC 60950, CSA C22.2 No. 50/UL60950   |
| <b>Other</b>    | RoHS2 compliant under CE   |

## FEATURES

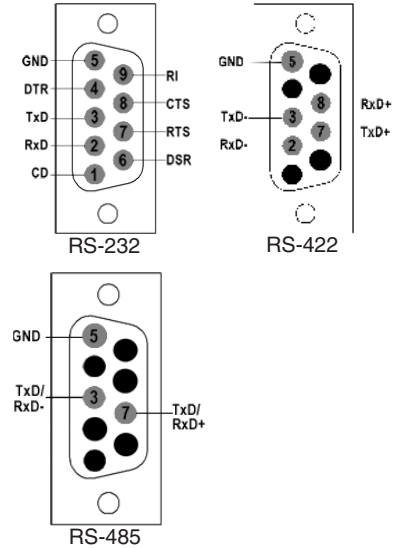
Easy Setup  
Software Selectable Serial Port Interface  
PortVision Remote Management Software  
PLC based or Web based Serial Port Configuration  
Watchdog Reset

## REGULATORY APPROVAL MARKS

ODVA Certified  
PIC Certified



## PIN ASSIGNMENTS



**Warranty Information**  
Control offers a 30-day satisfaction guarantee and 5-year limited warranty.

**Sales Support**  
+1.763.957.6000  
sales@comtrol.com

**Technical Support**  
+1.763.957.6000  
www.comtrol.com/support

**Email, FTP, and Web Support**  
info@comtrol.com  
ftp.comtrol.com  
www.comtrol.com