



DeviceMaster® UP 4-Port VDC Modbus

Part Number: 99521-0

DEVICE SERVER



KEY FEATURES AND BENEFITS

- Highly flexible and unique Modbus functionality
- Multiple Modbus master and slave types
- Raw/ASCII Serial and Ethernet device support
- Variable power input eliminates need for power converters
- Dual Ethernet ports for daisy chaining network connections between multiple units
- RoHS2 compliant under CE

PRODUCT DESCRIPTION

The DeviceMaster UP has been designed to meet the demands of today's increasingly diverse Modbus installations.

Control has developed three unique Modbus firmware applications that provide a wide range of Modbus connectivity. Simple connections or complex Modbus networks, you can do it all with a DeviceMaster UP.

Highly flexible and robust, the DeviceMaster UP provides connectivity between a vast array of Modbus controllers and devices. Simplified configuration pages, innovative functionality and informative diagnostic information all make for quick and easy set-up of even the most complex Modbus installations.



connect. communicate. control.

DEVICEMASTER SPECIFICATIONS

HARDWARE

| | |
|---|--|
| Product Dimensions | 10.72" x 6.3" x 1.5" 27.23 x 16 x 3.81 cm |
| Serial Connectors | (4) DB9 Male |
| Ethernet Ports | (2) 10/100 BaseT |
| Processor | ARM7 44Mhz |
| Memory | |
| 8MB | RAM |
| 4MB | Flash |
| Mounting Options | Panel/Rack |
| LED Indicators | |
| Status, Ethernet Link/Activity, Collision, 100MB Ethernet, RX/TX Per Port | |
| Housing | |
| Rugged Steel Construction | |

ELECTRICAL SPECIFICATIONS

| | |
|------------------------------|-------------------------|
| Device Requirements | 5 to 30 VDC |
| Device Consumption | 2.5 Watts |
| External Power Supply | (Included) |
| Input | 90 to 260 VAC @ 47-63Hz |
| Output | 500mA @ 24 VDC |
| Surge Protection | 15KV |

ENVIRONMENTAL SPECIFICATIONS

| | |
|-----------------------------------|-----------------|
| Operating Temperature | -37° C to 74° C |
| Storage Temperature | 40° C to 85° C |
| Humidity (non-condensing) | |
| System On | 20% to 80% |
| System Off | 8% to 80% |
| Altitude | |
| | 0 to 10,000 Ft |
| | 0 to 3,048 m |
| Heat Output | 8.5 BTU/Hr |
| Mean time between failures | 46.2 Years |

SERIAL COMMUNICATIONS

| | |
|----------------------------|--------------------|
| Software Selectable | RS-232/422/485 |
| Baud Rates | 50 bps to 230 Kbps |
| Data Bits | 7 or 8 |
| Parity | Odd, Even, None |
| Stop Bits | 1 or 2 |

COMMUNICATION MODES

Modbus/TCP to Serial or Ethernet TCP/IP
 Modbus/TCP to Modbus/RTU
 Modbus/TCP to raw serial data
 Modbus/RTU Device (Auto Locate and Auto Route)

NETWORK PROTOCOLS

Telnet, HTTP, SNMP, DHCP, RARP, ARP, BOOTP, Ping

EXPORT INFORMATION

| | |
|------------------------------------|--|
| Packaged Shipping Weight | 7.08lbs 3.21 kg |
| Package Shipping Dimensions | 14.9" x 4" x 10.9" 37.85 x 10.16 x 27.69 cm |
| UPC Code | 7-56727-99521-0 |
| ECCN | 5A992 |
| Schedule B Number | 8471.80.1000 |

REGULATORY STANDARDS

| | |
|-----------------|--|
| Immunity | EN55024, EN6100042, EN6100043, EN6100044, EN6100045, EN6100046, EN6100048, EN61000411, IEC 100042, IEC 100043, IEC 100044, IEC 100045, IEC 100046, IEC 100048, IEC 1000411 |
| Emission | EN55022 & A1:2000 IEC 100032, IEC 100033, CISPR22, ICES003 |
| Safety | EN60950, IEC 60950, CSA C22.2 No. 50/UL60950 |
| Other | RoHS2 compliant under CE |

FEATURES

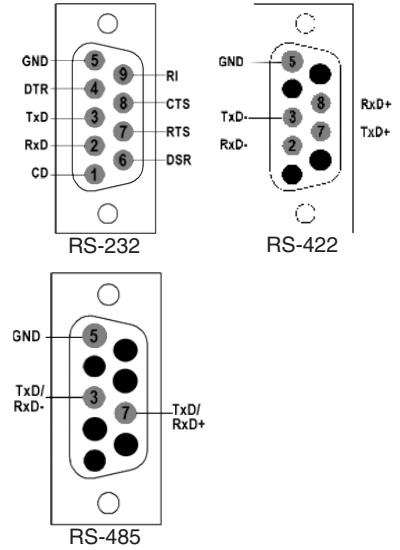
Easy Setup
 Software Selectable Serial Port Interface
 PortVision Remote Management Software
 PLC based or Web based Serial Port Configuration
 Watchdog Reset

REGULATORY APPROVAL MARKS

ODVA Certified
 PIC Certified



PIN ASSIGNMENTS



Warranty Information
 Control offers a 30-day satisfaction guarantee and 5-year limited warranty.

Sales Support
 +1.763.957.6000
 sales@comtrol.com

Technical Support
 +1.763.957.6000
 www.comtrol.com/support

Email, FTP, and Web Support
 info@comtrol.com
 ftp.comtrol.com
 www.comtrol.com