



## DeviceMaster® UP 1-Port VDC Modbus

Part Number: 99501-2

DEVICE SERVER



### KEY FEATURES AND BENEFITS

- DIN rail mounting and screw terminal power connections
- Highly flexible and unique Modbus functionality
- Multiple Modbus master and slave types
- Raw/ASCII Serial and Ethernet device support
- Variable power input eliminates need for power converters
- Dual Ethernet ports for daisy chaining network connections between multiple units
- RoHS2 compliance under CE
- Wide operating temperature (-37° to +74°C) for harsh environments

### PRODUCT DESCRIPTION

The DeviceMaster UP has been designed to meet the demands of today's increasingly diverse Modbus installations.

Control has developed three unique Modbus firmware applications that provide a wide range of Modbus connectivity. Simple connections or complex Modbus networks, you can do it all with a DeviceMaster UP.

Highly flexible and robust, the DeviceMaster UP provides connectivity between a vast array of Modbus controllers and devices. Simplified configuration pages, innovative functionality and informative diagnostic information all make for quick and easy set-up of even the most complex Modbus installations.



connect. communicate. control.

# DEVICEMASTER SPECIFICATIONS

## HARDWARE

<b>Serial Connectors</b>	(1) DB9 Male
<b>Ethernet Ports</b>	(1) 10/100 BaseT
<b>Processor</b>	ARM7 44Mhz
<b>Memory</b>	8MB RAM, 4MB, Flash
<b>Mounting</b>	Panel/Rack, DIN Rail Options
<b>LED Indicators</b>	Status, Ethernet Link/Activity, Collision, 100MB Ethernet, RX/TX Per Port
<b>Housing</b>	Rugged Steel Construction
<b>Dimensions</b>	3.65" x 2.88" x 0.89" 9.27 x 7.32 x 2.26 cm

## ELECTRICAL SPECIFICATIONS

<b>Device Requirements</b>	5 to 30 VDC
<b>Device Consumption</b>	2.5 Watts
<b>External Power Supply</b>	(Included)
Input	90 to 260 VAC @ 47-63Hz
Output	500mA @ 24 VDC
<b>Surge Protection</b>	15KV

## ENVIRONMENTAL SPECIFICATIONS

<b>Operating Temperature</b>	-37° to 74°C
<b>Storage Temperature</b>	40° to 85°C
<b>Humidity (non-condensing)</b>	
System On	20% to 80%
System Off	8% to 80%
<b>Altitude</b>	0 to 10,000 Ft 3,048 m
<b>Heat Output</b>	8.5 BTU/Hr
<b>Mean time between failures</b>	46.2 Years

## SERIAL COMMUNICATIONS

<b>Software Selectable</b>	RS-232/422/485
<b>Baud Rates</b>	50 bps to 230 Kbps
<b>Data Bits</b>	7 or 8
<b>Parity</b>	Odd, Even, None
<b>Stop Bits</b>	1 or 2

## COMMUNICATION MODES

Modbus/TCP to Serial or Ethernet TCP/IP  
 Modbus/TCP to Modbus/RTU  
 Modbus/TCP to raw serial data  
 Modbus/RTU Device (Auto Locate and Auto Route)

## NETWORK PROTOCOLS

Telnet, HTTP, SNMP, DHCP, ARP, BOOTP, Ping

## EXPORT INFORMATION

<b>Packaged Shipping Weight</b>	1.66lbs 0.75 kg
<b>Package Shipping Dimensions</b>	9.18" x 7.25" x 2.5" 23.32 x 18.42 x 6.35 cm
<b>UPC Code</b>	7-56727-99501-2
<b>ECCN</b>	5A992
<b>Schedule B Number</b>	8471.80.1000

## FEATURES

Easy setup  
 Software selectable serial port interface  
 PortVision remote management software  
 PLC based or webbased serial port configuration  
 Watchdog reset

## REGULATORY STANDARDS

**Immunity**  
 EN55024, EN6100042, EN6100043,  
 EN6100044, EN6100045, EN6100046,  
 EN6100048, EN61000411, IEC 100042,  
 IEC 100043, IEC 100044, IEC 100045,  
 IEC 100046, IEC 100048, IEC 1000411

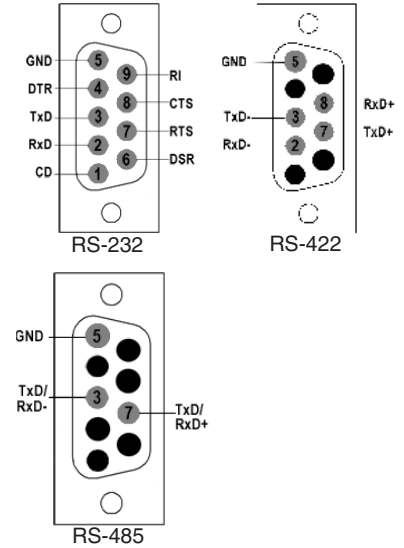
**Emission**  
 EN55022 & A1:2000 IEC 100032,  
 IEC 100033, CISPR22, ICES003

**Safety**  
 EN60950, IEC 60950,  
 CSA C22.2 No. 50/UL60950

**Other**  
 RoHS2 compliant under CE  
**Regulatory Approvals**



## PIN ASSIGNMENTS



**Warranty Information**  
 Control offers a 30-day satisfaction guarantee and 5-year limited warranty.

**Sales Support**  
 +1.763.957.6000  
 sales@comtrol.com

**Technical Support**  
 +1.763.957.6000  
 www.comtrol.com/support

**Email, FTP, and Web Support**  
 info@comtrol.com  
 ftp.comtrol.com  
 www.comtrol.com