



DeviceMaster® RTS 1-Port Embedded VDC

Part Number: 99470-1

DEVICE SERVER



KEY FEATURES AND BENEFITS

- No serial cable distance limitations enables communication between a host PC and serial devices located anywhere across an Ethernet network
- Software selectable RS-232/422/485 serial interfaces
- Application compatibility supports native COM, TTY, or TCP/IP Socket communication modes
- Web-based configuration makes setup and management changes quick and easy
- Real-time e-mail event notification alerts administrator of potential connection and security issues
- Wide -37° to 74°C industrial temperature range enables DeviceMaster to function in a wide variety of harsh environments
- Variable power input eliminates need for power converters
- PortVision® DX remote monitoring and management software
- IPv6 support
- RoHS2 compliant under CE

PRODUCT DESCRIPTION

The Control DeviceMaster RTS 1-Port Embedded VDC product is a single-port device server designed for network-enabling serial components inside a larger system, such as a kiosk, mail sortation system, or cash machine. When used with the included NS-Link™ driver software and a host PC, the DeviceMaster RTS enables placement of COM or TTY ports anywhere on an Ethernet network or across the Internet. In applications where connecting legacy serial devices to

a PC without software changes is a requirement, a pair of DeviceMaster RTS units can be used to create a point-to-point serial tunnel across the network that seamlessly transfers serial data via TCP or UDP socket connections.

The DeviceMaster RTS Embedded makes marketing and manufacturing Ethernet-connected devices a whole lot easier. It's the pain-free solution for you and your customers.



connect. communicate. control.

DEVICEMASTER SPECIFICATIONS

NETWORK PROTOCOLS

Telnet, HTTP, SNMP, DHCP, RARP, ARP, BOOTP, Ping,
Supports IP multicast data transmission

SERIAL COMMUNICATIONS

Software-Selectable RS-232/422/485
Baud Rates 50 bps to 230 Kbps
Data Bits 7 or 8
Parity Odd, Even, None
Stop Bits 1 or 2

FEATURES

Easy Set-up
Software-Selectable Serial Port Interfaces
PortVision Remote Management Software
PC-based or Web-based Serial Port Configuration
Watchdog Reset

HARDWARE

Serial Connectors (1) Header IDC10
Ethernet Ports (1) 10/100 Base-T
Processor ARM7 44MHz
Memory
8MB RAM
4MB Flash
LED Indicators
Status, Ethernet Link/Activity, Collision, 100MB
Ethernet, RX/TX Per Port

ELECTRICAL SPECIFICATIONS

Power Requirements 5 - 30 VDC
Power Consumption 2.5 Watts
Surge Protection 15KV

ENVIRONMENTAL SPECIFICATIONS

Operating Temperature -37 to 74°C
Storage Temperature -40 to 85°C
Relative Humidity 5% to 95%
Altitude 0 to 10,000 Ft
Heat Output 8.5 BTU/Hr
Mean time between failures 46.2 Years

EXPORT INFORMATION

Packaged Shipping Weight 0.69 lbs
0.31 kg
Package Shipping Dimensions 9.13" x 3" x 6.94"
231.9 x 76.2 x 176.3 mm
UPC Code 7-56727-99470-1
ECCN 5A992
Schedule B Number 8471.80.1000

REGULATORY STANDARDS

Immunity
EN55024, EN61000-4-2, EN61000-4-3,
EN61000-4-4, EN61000-4-5, EN61000-4-6,
EN61000-4-8, EN61000-4-11, IEC 1000-4-2,
IEC 1000-4-3, IEC 1000-4-4, IEC 1000-4-5,
IEC 1000-4-6, IEC 1000-4-8, IEC 1000-4-11

Emission
EN55022 & A1:2000, CISPR-22, ICES-003

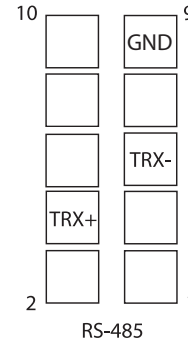
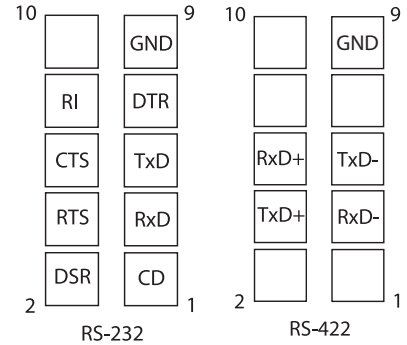
Safety
EN60950, IEC 60950, CSA C22.2 No. C60950/
UL60950

Other
European Standard: RoHS2 compliant under CE

Regulatory Approval Marks



PIN ASSIGNMENTS



Warranty Information
Control offers a 30-day
satisfaction guarantee and
5-year limited warranty.

Sales Support
+1.763.957.6000
sales@comtrol.com

Technical Support
+1.763.957.6000
www.comtrol.com/support

Email, FTP, and Web Support
info@comtrol.com
ftp.comtrol.com
www.comtrol.com