



DeviceMaster® PRO 8-Port

Part Number: 99443-5



KEY FEATURES AND BENEFITS

- No serial cable distance limitations enables communication between a host PC and serial devices located anywhere across an Ethernet network
- RS-232/422/485 software selectable
- Serial ports with enhanced 25KV surge protection
- Supports native COM, TTY, or TCP/IP Socket communication modes
- Web-based configuration makes setup and management changes quick and easy
- Rugged stainless steel housing enables DIN rail or panel mounting
- Temperature rated for extreme conditions (-40° to 75°C)
- Built-in two-port 10/100 Ethernet switch
- PortVision® DX remote monitoring and management software
- IPv6 support
- NEMA TS2 certified
- RoHS2 compliant under CE

PRODUCT DESCRIPTION

The Control DeviceMaster PRO 8-Port is an eight port device server designed for network-enabling serial communications devices. When used with the included NS-Link™ driver software and a host PC, the DeviceMaster PRO enables placement of COM or TTY ports anywhere on an Ethernet network or across the Internet.

In applications where connecting legacy serial devices to a PC without software changes is a requirement, a pair of DeviceMaster PRO units can be used to create a point-to-point serial tunnel across the network that seamlessly transfers serial data via TCP or UDP socket connections.



DEVICEMASTER SPECIFICATIONS

HARDWARE

Processor ARM7 44Mhz
 8MB RAM
 4MB Flash (Programmable)
 (2) 10/100 Base-T Ethernet
 Black Finished Steel Enclosure
 Product Weight
 4.86 lbs
 2.2 kg
 Product Dimensions
 10.8" x 1.8" x 6.3"
 274.3 x 45.7 x 160 mm
 Panel/Rack Mountable
 LED Indicators
 Status, Ethernet Link/Activity, Collision, 100MB Ethernet, RX/TX Per Port
 Surge Protection
 25KV

ELECTRICAL SPECIFICATIONS

Device Requirements
 9 to 30 VDC
 Device Consumption
 6.96 Watts
 External Power Supply Included
 Input
 90 to 260 VAC @ 60Hz
 Output
 290mA @ 24 VDC

ENVIRONMENTAL SPECIFICATIONS

Operating Temperature
 -40° to 75°C
 Storage Temperature
 -40° to 85°C
 Humidity (Non-Condensing)
 System On 20% to 80%
 System Off 8% to 80%
 Altitude
 0 to 10,000 Ft
 0 to 3048 m
 Heat Output
 23.7 BTU/Hr
 Mean time between failures
 18.2 Years

DEVICE DRIVERS

Linux
 Microsoft® Windows® XP through Windows 10

SERIAL COMMUNICATIONS

Software-Selectable Interface
 RS-232/422/485
 Baud Rates
 50 bps to 230 Kbps
 Serial Connectors
 (8) DB9/RJ45 Adapters
 Data Bits
 7 or 8
 Parity
 Odd, Even, None
 Stop Bits
 1 or 2

EXPORT INFORMATION

Packaged Shipping Weight
 7.90lbs
 3.58 kg
 Package Shipping Dimensions
 14.9" x 4" x 10.9"
 378.5 x 101.6 x 276.9 mm
 UPC Code
 7-56727-99443-5
 ECCN
 5A992
 Schedule B Number
 8471.80.1000

REGULATORY STANDARDS

Immunity
 EN55024; EN61000-4-2, EN61000-4-3, EN61000-4-4, EN61000-4-5, EN61000-4-6, EN61000-4-8, EN61000-4-11, IEC 1000-4-2, IEC 1000-4-3, IEC 1000-4-4, IEC 1000-4-5, IEC 1000-4-6, IEC 1000-4-8, IEC 1000-4-11
 Emission
 EN55022 & A1:2000 IEC 1000-3-2, IEC 1000-3-3, CISPR-22, ICES-003
 Safety
 EN60950, IEC 60950, CSA C22.2 No. 50/UL60950
 NEMA TS2 Certification

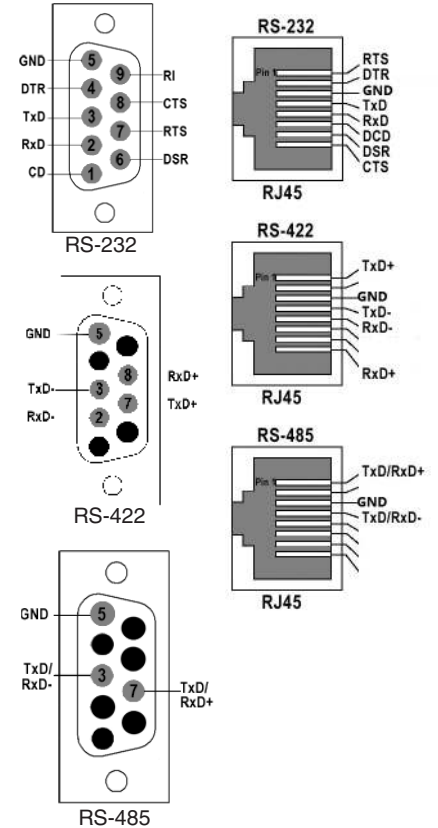
FEATURES

Lowest Latency
 NS-Link COM/TTY Port Redirector
 PortVision Remote Management
 TCP/IP & UDP Socket Services
 Telnet
 HTTP
 SNMP
 DHCP / RARP / ARP / BOOTP / Ping
 Hardware & Software Flow Control
 Watchdog Reset
 Event Notification
 RFC 1006
 Supports IP multicast data transmission

REGULATORY APPROVAL MARKS



PIN ASSIGNMENTS



Warranty Information

Control offers a 30-day satisfaction guarantee and 5-year limited warranty.

Sales Support

+1.763.957.6000
 sales@comtrol.com

Technical Support

+1.763.957.6000
 www.comtrol.com/support

Email, FTP, and Web Support

info@comtrol.com
 ftp.comtrol.com
 www.comtrol.com