



## DeviceMaster® UP 1-Port

Part Number: 99441-1



### KEY FEATURES AND BENEFITS

- DualConnectPlus™ Technology – simultaneously connect both serial and Ethernet devices to PLCs and/or applications. String, RFID, and barcode data filtering eliminates redundant data while extracting the RFID and barcode parameters.
- Provide PLC connectivity – to standard serial devices with protocol support for EtherNet/IP, PROFINET, Modbus/TCP, Modbus RTU/ASCII, and TCP/IP
- Supported PLC models – EtherNet/IP: Allen Bradley ControlLogix Family, SLC 5/05, PLC-5, MicroLogix PROFINET: Siemens ET 400, 300 S7 Modbus: Modicon Quantum, Premium, Momentum, Compact, Micro, GE Fanuc Rx7i, Rx3i, 90-70, 90- 30, Versamax
- Wide -37° to +74°C operating temperature range
- Variable power input – eliminates need for power converters
- PortVision® DX enterprise monitoring and management software
- RoHS2 compliance under CE
- Security Features – SSL & SSH management, SSL serial data stream encryption

### PRODUCT DESCRIPTION

At Control, we believe gateways should be intelligent, robust, and easy to use.

The DeviceMaster UP provides innovative EtherNet/IP, Modbus, and Profinet IO connectivity to a wide variety of devices. It can enable you to quickly connect PLCs, SCADA, OPC Servers and applications to devices such as barcode scanners, RFID readers, weigh scales, vision systems, printers, encoders, HVAC and

sensors.

With its simplified web-based configuration pages, innovative functionality and informative diagnostic information, the DeviceMaster UP provides the functionality required to make your job easier.



# DEVICEMASTER SPECIFICATIONS

## HARDWARE

<b>Serial Connectors</b>	(1) DB9 Male
<b>Ethernet Ports</b>	(1) 10/100 BASE-T
<b>Processor</b>	ARM7 44Mhz
<b>Memory</b>	8MB RAM, 4MB Flash
<b>Mounting Options</b>	Panel/Rack, DIN rail
<b>LED Indicators</b>	Status, Ethernet Link/Activity, Collision, 100MB Ethernet, RX/TX Per Port
<b>Housing</b>	Rugged Steel Construction
<b>Dimensions</b>	3.6" x 0.8" x 2.8" 9.14 x 2.03 x 7.11 cm
<b>Product Weight</b>	7.5 oz 212.62 g

## ELECTRICAL SPECIFICATIONS

<b>Device Requirements</b>	5 to 30 VDC
<b>Device Consumption</b>	2.5 Watts
<b>External Power Supply</b>	(Included) 90 to 260 VAC @ 47-63Hz
<b>Input</b>	
<b>Output</b>	500mA @ 24 VDC
<b>Surge Protection</b>	15KV Per Port

## ENVIRONMENTAL SPECIFICATIONS

<b>Operating Temperature</b>	-37° C to 74° C
<b>Storage Temperature</b>	40° C to 85° C
<b>Humidity (NonCondensing)</b>	
System On	20% to 80%
System Off	8% to 80%
<b>Altitude</b>	0 to 10,000 Ft
<b>Heat Output</b>	8.5 BTU/Hr
<b>Mean time between failures</b>	46.2 Years

## SERIAL COMMUNICATIONS

<b>Software Selectable</b>	RS-232/422/485
<b>Baud Rates</b>	50bps to 230 Kbps
<b>Data Bits</b>	7 or 8
<b>Parity</b>	Odd, Even, None
<b>Stop Bits</b>	1 or 2

## COMMUNICATION MODES

EtherNet/IP to Serial  
PROFINET IO to Serial  
Modbus/TCP to Serial  
TCP Sockets  
UDP Sockets

## NETWORK PROTOCOLS

Telnet, HTTP, SNMP, DHCP, RARP, ARP, BOOTP, Ping

## INDUSTRIAL ETHERNET PROTOCOLS

EtherNet/IP, PROFINET I/O, PROFINET CbA, Modbus/TCP, TCP/IP

## REGULATORY APPROVAL MARKS

FCC Part 15 Subpart B Class A, ODVA Certified, PIC Certified

## EXPORT INFORMATION

<b>Packaged Shipping Weight</b>	1.66lbs 0.75 kg
<b>Package Shipping Dimensions</b>	15.25" x 3" x 9.25" 38.74 x 7.62 x 23.5 cm
<b>UPC Code</b>	7-56727-99441-1
<b>ECCN</b>	5A992
<b>Schedule B Number</b>	8471.80.1000

## FEATURES

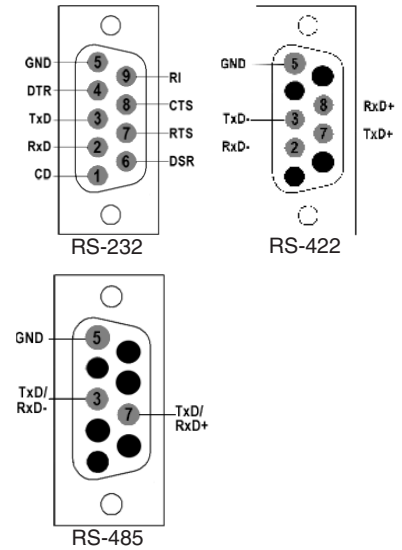
Easy Setup  
SoftwareSelectable Serial Port Interface  
PortVision Remote Management Software  
PLCbased or Webbased Serial Port Configuration  
Watchdog Reset

## REGULATORY STANDARDS

<b>Immunity</b>	EN55024, EN6100042, EN6100043, EN6100044, EN6100045, EN6100046, EN6100048, EN61000411, IEC 100042, IEC 100043, IEC 100044, IEC 100045, IEC 100046, IEC 100048, IEC 1000411
<b>Emission</b>	EN55022 & A1:2000 IEC 100032, IEC 100033, CISPR22, ICES003
<b>Safety</b>	EN60950, IEC 60950, CSA C22.2 No. 50/ UL60950
<b>Other</b>	RoHS2 compliant under CE



## PIN ASSIGNMENTS



**Warranty Information**  
Control offers a 30-day satisfaction guarantee and 5-year limited warranty.

**Sales Support**  
+1.763.957.6000  
sales@comtrol.com

**Technical Support**  
+1.763.957.6000  
www.comtrol.com/support

**Email, FTP, and Web Support**  
info@comtrol.com  
ftp.comtrol.com  
www.comtrol.com

