



## DeviceMaster® RTS VDC 1-Port

Part Number: 99440-4



DEVICE SERVER

### KEY FEATURES AND BENEFITS

- No serial cable distance limitations enables communication between a host PC and serial devices located anywhere across an Ethernet network
- Software selectable RS-232/422/485 serial interfaces
- Supports native COM, TTY, or TCP/IP socket communication modes
- Web-based configuration makes setup and management changes quick and easy
- Real-time e-mail event notification alerts administrator of potential connection and security issues
- Wide operating temperature range (-40° to 75°C) for harsh environments
- Rugged stainless steel housing enables DIN rail or panel-mounting
- Variable power input eliminates need for power converters
- PortVision® DX monitoring and management software automatically monitors devices on the network and enables user to view status, update firmware and resolve issues remotely
- RoHS2 compliance under CE
- IPv6 support
- NEMA TS2 Certified

### PRODUCT DESCRIPTION

The Control DeviceMaster RTS 1-Port VDC DB9 is a single-port device server designed for network-enabling serial communications devices. When used with the included NS-Link™ driver software and a host PC, the DeviceMaster RTS enables placement of COM or TTY ports anywhere on an Ethernet network or across the Internet. In applications where connecting legacy serial devices to a PC without software

changes is a requirement, a pair of DeviceMaster RTS units can be used to create a point-to-point serial tunnel across the network that seamlessly transfers serial data via TCP or UDP socket connections. DeviceMaster RTS VDC products are designed specifically for use where an existing power source from 5-30 VDC will be used.



connect. communicate. control.

# DEVICEMASTER SPECIFICATIONS

## HARDWARE

<b>Serial Connectors</b>	(1) DB9 Male
<b>Ethernet Ports</b>	(1) 10/100 BASE-T
<b>Processor</b>	ARM7 44Mhz
<b>Memory</b>	8MB RAM, 4MB Flash
<b>Mounting</b>	Panel/Rack, DIN rail
<b>Product Dimensions</b>	3.6" x 0.8" x 2.8" 9.14 x 2.03 x 7.11 cm
<b>Product Weight</b>	7.5 oz 212.62 g
<b>LED Indicators</b>	Status, Ethernet, Link/Activity, Collision, 100MB Ethernet, RX/TX Per Port
<b>Housing</b>	Rugged Steel Construction

## NETWORK PROTOCOLS

Telnet, HTTP, SNMP, DHCP, RARP, ARP, BOOTP, Ping,  
Supports IP multicast data transmission

## SERIAL COMMUNICATIONS

<b>Software-Selectable</b>	RS-232/422/485
<b>Baud Rates</b>	50bps to 230 Kbps
<b>Data Bits</b>	7 or 8
<b>Parity</b>	Odd, Even, None
<b>Stop Bits</b>	1 or 2

## FEATURES

Easy Set-up  
Software-Selectable Serial Port Interface  
PortVision Remote Management Software  
PC-based or Web-based Serial Port Configuration  
Watchdog Reset

## ELECTRICAL SPECIFICATIONS

<b>Device Requirements</b>	5 to 30 VDC
<b>Device Consumption</b>	2.5 Watts
<b>External Power Supply</b>	Sold Separately
<b>Surge Protection</b>	15KV Per Port

## ENVIRONMENTAL SPECIFICATIONS

<b>Operating Temperature</b>	-40° to 75°C
<b>Storage Temperature</b>	-40 to 85°C
<b>Relative Humidity</b>	5% to 95%
<b>Altitude</b>	0 to 10,000 Ft 0 to 3,048 m
<b>Heat Output</b>	8.5 BTU/Hr
<b>Mean time between failures</b>	46.2 Years

## EXPORT INFORMATION

<b>Packaged Shipping Weight</b>	1.66lbs 0.75 kg
<b>Package Shipping Dimensions</b>	9.18" x 7.25" x 2.5" 23.32 x 18.42 x 6.35 cm
<b>UPC Code</b>	7-56727-99440-4
<b>ECCN</b>	5A992
<b>Schedule B Number</b>	8471.80.1000

## REGULATORY STANDARDS

**Immunity**  
EN55024, EN61000-4-2, EN61000-4-3,  
EN61000-4-4, EN61000-4-5, EN61000-4-6,  
EN61000-4-8, EN61000-4-11, IEC 1000-4-2,  
IEC 1000-4-3, IEC 1000-4-4, IEC 1000-4-5,  
IEC 1000-4-6, IEC 1000-4-8, IEC 1000-4-11

**Emission**  
EN55022 & A1:2000 IEC 1000-3-2,  
IEC 1000-3-3, CISPR-22, ICES-003

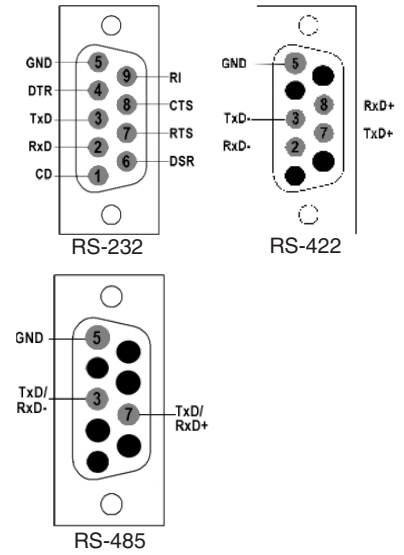
**Safety**  
EN60950, IEC 60950,  
CSA C22.2 No. 50/UL60950

**Other**  
RoHS2 compliance under CE

## REGULATORY APPROVAL MARKS



## PIN ASSIGNMENTS



**Warranty Information**  
Control offers a 30-day satisfaction guarantee and 5-year limited warranty.

**Sales Support**  
+1.763.957.6000  
sales@comtrol.com

**Technical Support**  
+1.763.957.6000  
www.comtrol.com/support

**Email, FTP, and Web Support**  
info@comtrol.com  
ftp.comtrol.com  
www.comtrol.com