



DeviceMaster® RTS DB9M 1-Port

Part Number: 99435-0

Part Number: 99437-4 (Includes EU Power Supply)



KEY FEATURES AND BENEFITS

- No serial cable distance limitations enables communication between a host PC and serial devices located anywhere across an Ethernet network
- RS-232/422/485 software selectable
- Supports native COM, TTY, or TCP/IP Socket communication modes
- Web-based configuration makes setup and management changes quick and easy
- Rugged stainless steel housing enables DIN rail or panel mounting
- Temperature rated for extreme conditions (-37° to 74°C)
- PortVision® DX remote monitoring and management software
- Software Developer Kit available for users interested in writing custom applications to run on the DeviceMaster platform
- NEMA TS2 Certified
- RoHS2 compliant under CE
- IPV6 support

PRODUCT DESCRIPTION

The Control DeviceMaster RTS 1-Port DB9 is a single-port device server designed for network-enabling serial communications devices. When used with the included NS-Link™ driver software and a host PC, the DeviceMaster RTS enables placement of COM or TTY ports anywhere on an Ethernet network or across the internet.

In applications where connecting legacy serial devices to a PC without software changes is a requirement, a pair of DeviceMaster RTS units can be used to create a point-to-point serial tunnel across the network that seamlessly transfers serial data via TCP or UDP socket connections. This product is RoHS2 compliant under CE.



DEVICEMASTER SPECIFICATIONS

HARDWARE

Bus Interface Specification	10/100 BASE-T
Memory	8MB SDRAM, 4MB Flash
Enclosure	Stainless Steel
Installation Method	Panel mountable or DIN rail
LED Indicators	100MB Ethernet, Duplex, Ethernet Link/Activity, and Status
Dimensions	3.6" x 0.8" x 2.8" 41.4 x 20.3 x 71.1 mm
Product Weight	7.8 oz 0.22 kg

ELECTRICAL SPECIFICATIONS

Device Requirements	200mA @ 5 VDC
Device Consumption	2.1 Watts
Control External Power Supply	
Input	90 to 132VAC @ 60Hz 90 to 264VAC @ 50-60Hz (Euro Power Supply version)
Output	420mA @ 5 VDC 5VDC @ 2A (Euro Power Supply version)
Surge Protection	Provides minimum of 15KV protection for all serial lines.
All	Ethernet components are rated to 1.5KV magnetic surge protection.

ENVIRONMENTAL SPECIFICATIONS

Air Temperature	-37° to 74°C
System On	-40° to 85°C
System Off	
Operating Humidity	5% to 95%
Altitude	0 to 10,000 Ft 0 to 3,048 m
Heat Output	7.2 BTU/Hr
Mean time between failures	48.4 Years

SERIAL COMMUNICATIONS

Connector Type	DB9M
Number of Ports	1
Software Interfaces	RS-232/422/485
Baud Rates	50 bps to 230Kbps 300 bps to 230.4Kbps (Euro Power Supply Version)
Receive Buffer	1024bytes
Transmit Buffer	256bytes
Device Driver Data Control	
Data Bits	7 or 8
Parity	Odd, Even, None
Stop Bits	1 or 2
Flow Control	Hardware, Software or none

ETHERNET SPECIFICATIONS

Network Protocols	ARP, BOOTP, DHCP/RARP/Ping, HTTP, ICMP, RFC 1006 (ISO over TCP), SNMP (MIB-II), TCP/IP & UDP socket services, Telnet, and TFTP, and supports IP multicast data transmission
Connector Type	RJ45F Auto MDI/MDI-X
Number of Ports	1
FEATURES	
SNMP Support	Monitoring Only
Other	Event notification, lowest latency, NS-Link COM/TTY port redirector, PortVision DX remote management and Watchdog reset
Manufacturer's Warranty	5 Years

EXPORT INFORMATION

Packaged Shipping Weight	1.97 lbs 0.89 kg
Package Shipping Dimensions	9.18" x 2.5" x 7.25" 233 x 63.5 x 184 mm
UPC Code	7-56727-99435-0 7-56727-99437-4 5A992
ECCN	8471.80.1000
Schedule B Number	

DEVICE DRIVERS

Linux
Microsoft® Windows® 7
Microsoft® Windows® 2008 Server
Microsoft® Windows® Vista
Microsoft® Windows Server® 2003
Microsoft® Windows® XP
Microsoft® Windows NT® 4.0 (Legacy)
Microsoft® Windows® 2000 (Legacy)

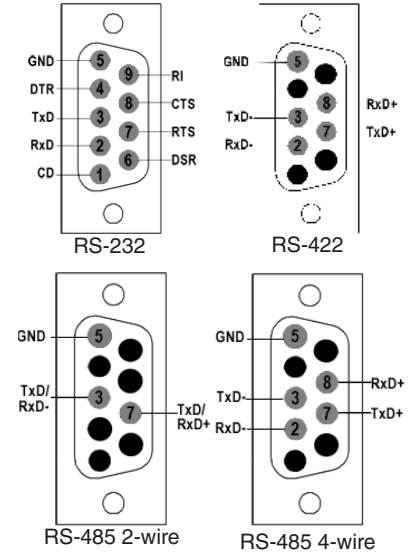
REGULATORY STANDARDS

Emissions	Canadian EMC requirements ICES-003 CISPR-22 European Standard EN55022 FCC Part 15 Subpart B Class A limit AS/NZS-3548
Immunity	European Standard EN55024 IEC 1000-4-2/EN61000-4-2: ESD IEC 1000-4-3/EN61000-4-3: RF IEC 1000-4-4/EN61000-4-4: Fast Transient IEC 1000-4-5/EN61000-4-5: Surge IEC 1000-4-6/EN61000-4-6: Conducted Disturbance IEC 1000-4-8/EN61000-4-8: Magnetic Field IEC 1000-4-11/EN61000-4-11: Dips and Voltage Variations
Safety	IEC 60950/EN60950 (LISTED) CSA C22.2 No. 60950/UL60950 Third Edition
Other	NEMA TS2 Compliant RoHS2 compliant under CE

REGULATORY APPROVALS



PIN ASSIGNMENTS



Warranty Information
Comtrol offers a 30-day satisfaction guarantee and 5-year limited warranty.

Sales Support
+1.763.957.6000
sales@comtrol.com

Technical Support
+1.763.957.6000
www.comtrol.com/support

Email, FTP, and Web Support
info@comtrol.com
ftp.comtrol.com
www.comtrol.com