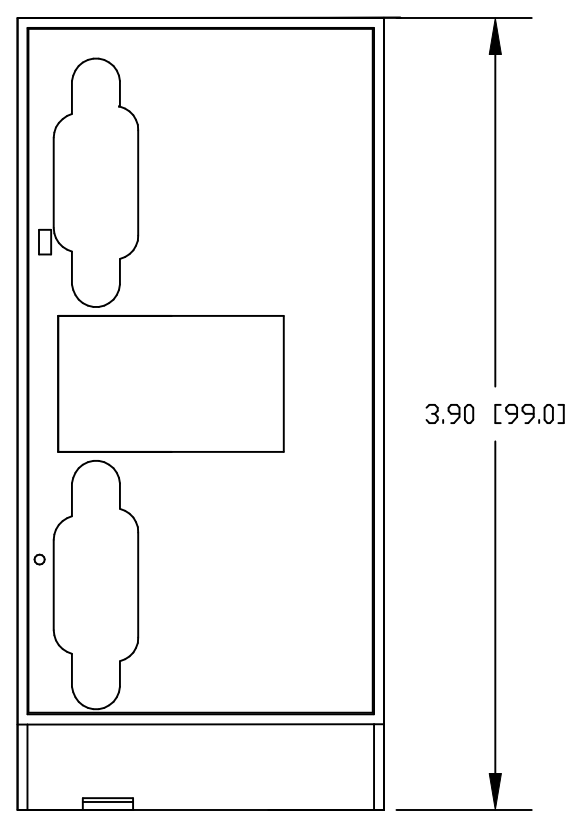
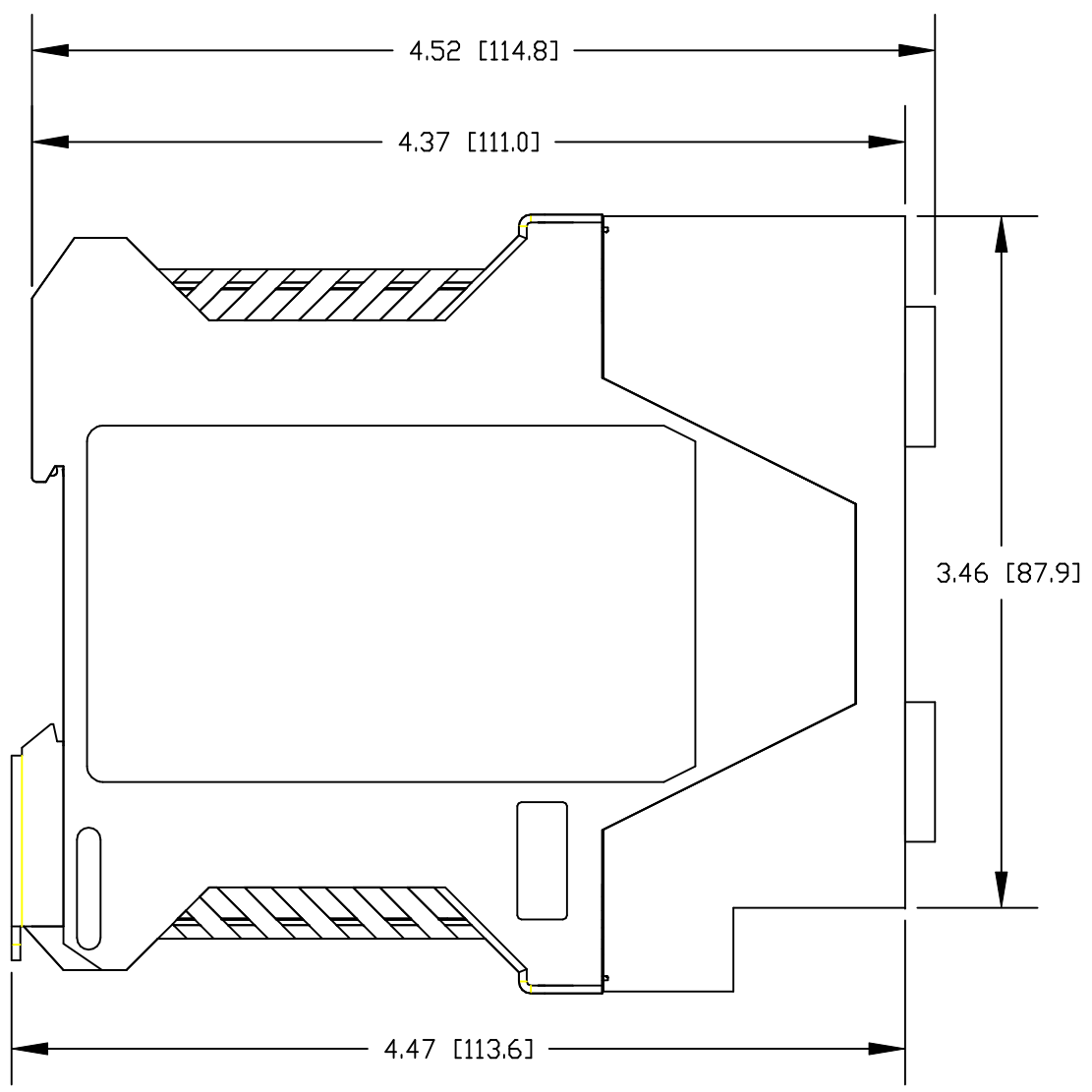
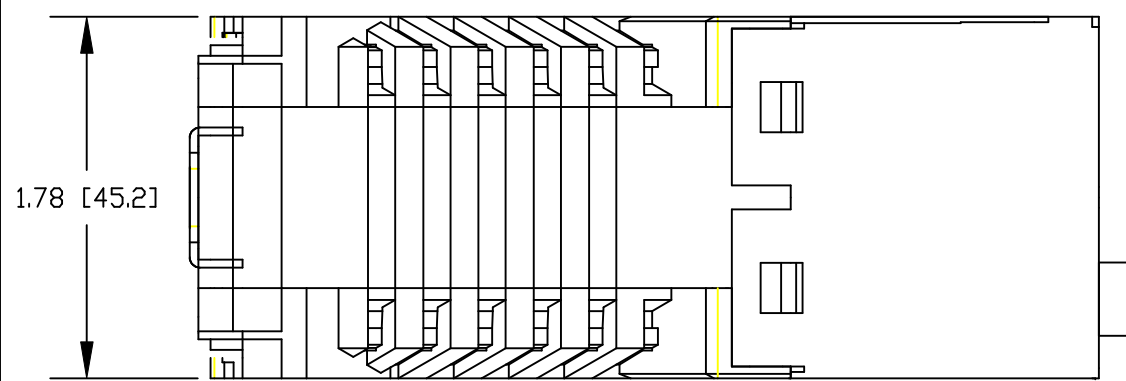
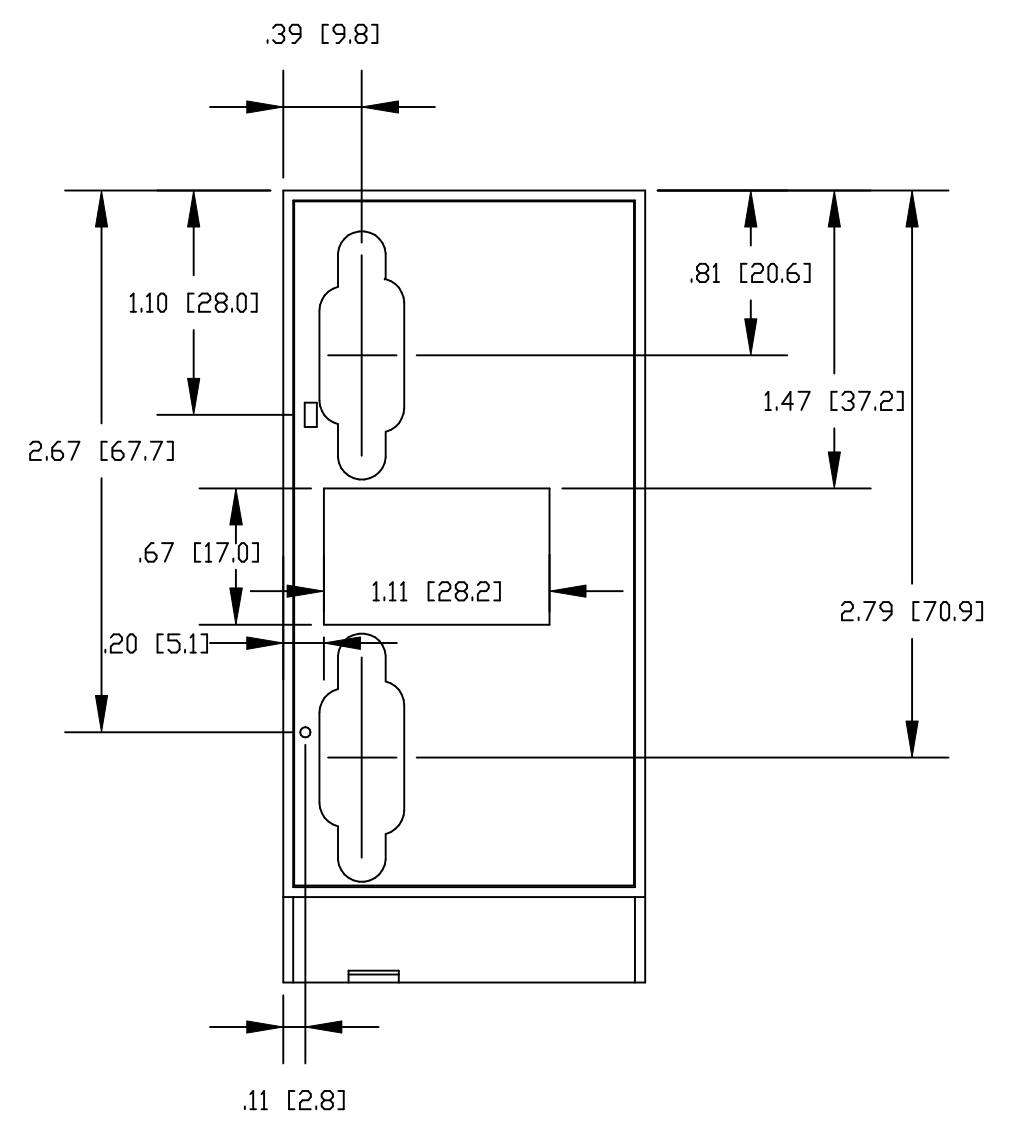


REVISION RECORD					
REV	ECO	DESCRIPTION	DATE	DRFT	APVD
01	N/A	Initial Release for review	06/19/09	SJL	
02	N/A	Add UP TLA numbers	10/12/09	SJL	



CUTOUT DETAIL



DIMENSIONS ARE IN INCHES [MM]				
CONTROL CORP.				
TITLE DEVICEMASTER 2-PORT DB9M 2E				
99560-9, 99561-6, 99562-3				
FILENAME DM_2P_DB9_2E_02.DWG				
SIZE	BY	DATE	REV	
B	SJL	06/19/09	02	SHEET 1 OF 1

NOTES:

1. DEVICE IS DESIGNED TO BE MOUNTED ON 35MM DIN RAIL (EN 50022).