



DeviceMaster® UP 4-Port

Part Number: 99447-3



KEY FEATURES AND BENEFITS

- DualConnectPlus™ Technology – simultaneously connect both serial and Ethernet devices to PLCs and/or applications. String, RFID, and barcode data filtering eliminates redundant data while extracting the RFID and barcode parameters.
- Provide PLC connectivity – to standard serial devices with protocol support for EtherNet/IP, PROFINET, Modbus/TCP, Modbus RTU/ASCII, and TCP/IP
- Supported PLC models – EtherNet/IP: Allen Bradley ControlLogix Family, SLC 5/05, PLC-5, MicroLogix. PROFINET: Siemens ET 400, 300 S7. Modbus: Modicon Quantum, Premium, Momentum, Compact, Micro, GE Fanuc Rx7i, Rx3i, 90-70, 90-30, Versamax
- Wide - 37° to 74°C industrial temperature range
- Variable power input – eliminates need for power converters
- PortVision® DX remote monitoring and management software
- Security Features – SSL & SSH management, SSL serial data stream encryption
- RoHS2 compliant under CE

PRODUCT DESCRIPTION

At Control, we believe gateways should be intelligent, robust, and easy to use.

The DeviceMaster UP provides innovative EtherNet/IP, Modbus, and Profinet IO connectivity to a wide variety of devices. It can enable you to quickly connect PLCs, SCADA, OPC Servers and applications to devices such as barcode scanners, RFID readers,

weigh scales, vision systems, printers, encoders, HVAC and sensors.

With its simplified web-based configuration pages, innovative functionality and informative diagnostic information, the DeviceMaster UP provides the functionality required to make your job easier.



DEVICEMASTER SPECIFICATIONS

SERIAL COMMUNICATIONS

Software-Selectable	RS-232/422/485
Baud Rates	50bps to 230 Kbps
Data Bits	7 or 8
Parity	Odd, Even, None
Stop Bits	1 or 2

HARDWARE

Serial Connectors	(4) DB9 Male
Ethernet Ports	(2) 10/100BASE-T
Processor	ARM7 44Mhz
Memory	8MB RAM, 4MB Flash
Mounting	Panel/Rack, DIN rail
Options	LED Indicators Status, Ethernet, Link/Activity, Collision, 100MB Ethernet, RX/TX Per Port
Housing	Rugged Steel Construction

ELECTRICAL SPECIFICATIONS

Device Requirements	9 to 30 VDC
Device Consumption	4.8 Watts
External Power Supply	(Included)
Input	90 to 260 VAC @ 47-63Hz
Output	500mA @ 24 VDC
Surge Protection	15KV Per Port

ENVIRONMENTAL SPECIFICATIONS

Operating Temperature	-37 to 74°C
Storage Temperature	-40 to 85°C
Humidity (Non-Condensing)	System On 20% to 80%
	System Off 8% to 80%
Altitude	0 to 10,000 Ft
	3,058m
Heat Output	16.4 BTU/Hr
Mean Time Between Failures	25.0 Years

EXPORT INFORMATION

Packaged Shipping Weight	7.2lbs
	115.2 oz
Packaged Shipping Dimensions	14.9" x 4" x 10.9"
	378.5 x 101.6 x 276.9 mm
UPC Code	7-56727-99447-3
ECCN	5A992
Schedule B Number	8471.80.1000

REGULATORY STANDARDS

Immunity	EN55024, EN61000-4-2, EN61000-4-3, EN61000-4-4, EN61000-4-5, EN61000-4-6, EN61000-4-8, EN61000-4-11, IEC 1000-4-2, IEC 1000-4-3, IEC 1000-4-4, IEC 1000-4-5, IEC 1000-4-6, IEC 1000-4-8, IEC 1000-4-11
Emissions	EN55022 & A1:2000 IEC 1000-3-2, IEC 1000-3-3, CISPR-22, ICES-003
Safety	EN60950, IEC 60950, CSA C22.2 No. 50/ UL60950

INDUSTRIAL ETHERNET PROTOCOL

EtherNet/IP, PROFINET I/O, PROFINET CBA, Modbus/TCP, TCP/IP

COMMUNICATION MODES

EtherNet/IP to Serial
Modbus/TCP to Serial
TCP Sockets
UDP Sockets

NETWORK PROTOCOLS

Telnet, HTTP, SNMP, DHCP, RARP, ARP, BOOTP, Ping

FEATURES

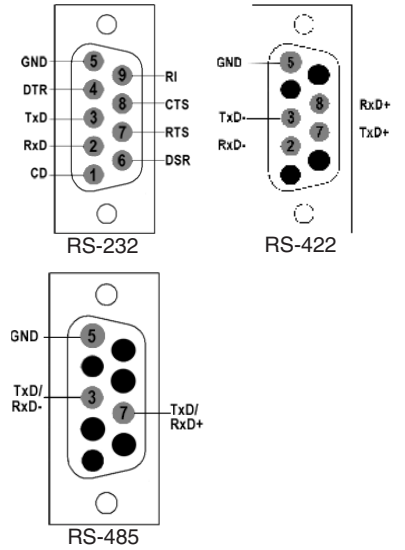
Easy Set-Up
Software-Selectable Serial Port Interface
PortVision Remote Management Software
PLC-based or Web-based Serial Port Configuration
Watchdog Reset

REGULATORY APPROVAL MARKS

ODVA Certified, PIC Certified, RoHS2 compliant under CE



PIN ASSIGNMENTS



Warranty Information
Control offers a 30-day satisfaction guarantee and 5-year limited warranty.

Sales Support
+1.763.957.6000
sales@comtrol.com

Technical Support
+1.763.957.6000
www.comtrol.com/support

Email, FTP, and Web Support
info@comtrol.com
ftp.comtrol.com
www.comtrol.com