



DeviceMaster® UP 1-Port

Part Number: 99441-1



KEY FEATURES AND BENEFITS

- DualConnectPlus™ Technology – simultaneously connect both serial and Ethernet devices to PLCs and/or applications. String, RFID, and barcode data filtering eliminates redundant data while extracting the RFID and barcode parameters.
- Provide PLC connectivity – to standard serial devices with protocol support for EtherNet/IP, PROFINET, Modbus/TCP, Modbus RTU/ASCII, and TCP/IP
- Supported PLC models – EtherNet/IP: Allen Bradley ControlLogix Family, SLC 5/05, PLC-5, MicroLogix PROFINET: Siemens ET 400, 300 S7 Modbus: Modicon Quantum, Premium, Momentum, Compact, Micro, GE Fanuc Rx7i, Rx3i, 90-70, 90-30, Versamax
- Wide -37° to +74°C operating temperature range
- Variable power input – eliminates need for power converters
- PortVision® DX enterprise monitoring and management software
- RoHS2 compliance under CE
- Security Features – SSL & SSH management, SSL serial data stream encryption

PRODUCT DESCRIPTION

At Control, we believe gateways should be intelligent, robust, and easy to use.

The DeviceMaster UP provides innovative EtherNet/IP, Modbus, and Profinet IO connectivity to a wide variety of devices. It can enable you to quickly connect PLCs, SCADA, OPC Servers and applications to devices such as barcode scanners, RFID readers, weigh scales, vision systems, printers, encoders, HVAC and

sensors.

With its simplified web-based configuration pages, innovative functionality and informative diagnostic information, the DeviceMaster UP provides the functionality required to make your job easier.



DEVICEMASTER SPECIFICATIONS

HARDWARE

Serial Connectors	(1) DB9 Male
Ethernet Ports	(1) 10/100 BASE-T
Processor	ARM7 44Mhz
Memory	8MB RAM, 4MB Flash
Mounting Options	Panel/Rack, DIN rail
LED Indicators	Status, Ethernet Link/Activity, Collision, 100MB Ethernet, RX/TX Per Port
Housing	Rugged Steel Construction
Dimensions	3.6" x 0.8" x 2.8" 9.14 x 2.03 x 7.11 cm
Product Weight	7.5 oz 212.62 g

ELECTRICAL SPECIFICATIONS

Device Requirements	5 to 30 VDC
Device Consumption	2.5 Watts
External Power Supply	(Included) 90 to 260 VAC @ 47-63Hz
Input	
Output	500mA @ 24 VDC
Surge Protection	15KV Per Port

ENVIRONMENTAL SPECIFICATIONS

Operating Temperature	-37° C to 74° C
Storage Temperature	40° C to 85° C
Humidity (NonCondensing)	
System On	20% to 80%
System Off	8% to 80%
Altitude	0 to 10,000 Ft
Heat Output	8.5 BTU/Hr
Mean time between failures	46.2 Years

SERIAL COMMUNICATIONS

Software Selectable	RS-232/422/485
Baud Rates	50bps to 230 Kbps
Data Bits	7 or 8
Parity	Odd, Even, None
Stop Bits	1 or 2

COMMUNICATION MODES

EtherNet/IP to Serial
PROFINET IO to Serial
Modbus/TCP to Serial
TCP Sockets
UDP Sockets

NETWORK PROTOCOLS

Telnet, HTTP, SNMP, DHCP, RARP, ARP, BOOTP, Ping

INDUSTRIAL ETHERNET PROTOCOLS

EtherNet/IP, PROFINET I/O, PROFINET CbA, Modbus/TCP, TCP/IP

REGULATORY APPROVAL MARKS

FCC Part 15 Subpart B Class A, ODVA Certified, PIC Certified

EXPORT INFORMATION

Packaged Shipping Weight	1.66lbs 0.75 kg
Package Shipping Dimensions	15.25" x 3" x 9.25" 38.74 x 7.62 x 23.5 cm
UPC Code	7-56727-99441-1
ECCN	5A992
Schedule B Number	8471.80.1000

FEATURES

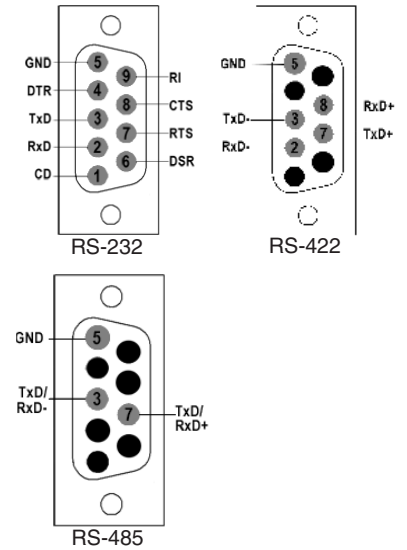
Easy Setup
SoftwareSelectable Serial Port Interface
PortVision Remote Management Software
PLCbased or Webbased Serial Port Configuration
Watchdog Reset

REGULATORY STANDARDS

Immunity	EN55024, EN6100042, EN6100043, EN6100044, EN6100045, EN6100046, EN6100048, EN61000411, IEC 100042, IEC 100043, IEC 100044, IEC 100045, IEC 100046, IEC 100048, IEC 1000411
Emission	EN55022 & A1:2000 IEC 100032, IEC 100033, CISPR22, ICES003
Safety	EN60950, IEC 60950, CSA C22.2 No. 50/ UL60950
Other	RoHS2 compliant under CE



PIN ASSIGNMENTS



Warranty Information
Control offers a 30-day satisfaction guarantee and 5-year limited warranty.

Sales Support
+1.763.957.6000
sales@comtrol.com

Technical Support
+1.763.957.6000
www.comtrol.com/support

Email, FTP, and Web Support
info@comtrol.com
ftp.comtrol.com
www.comtrol.com

