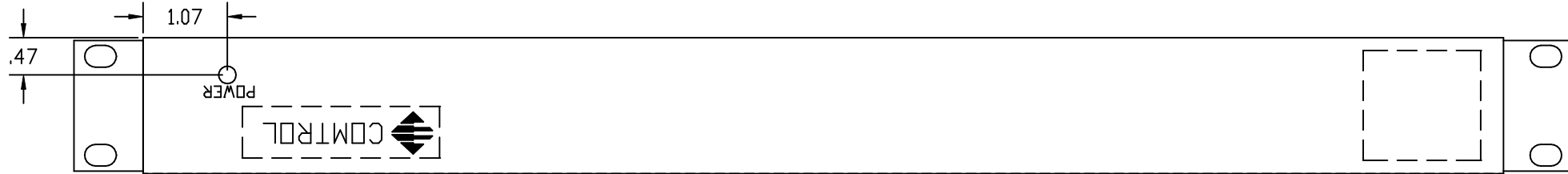
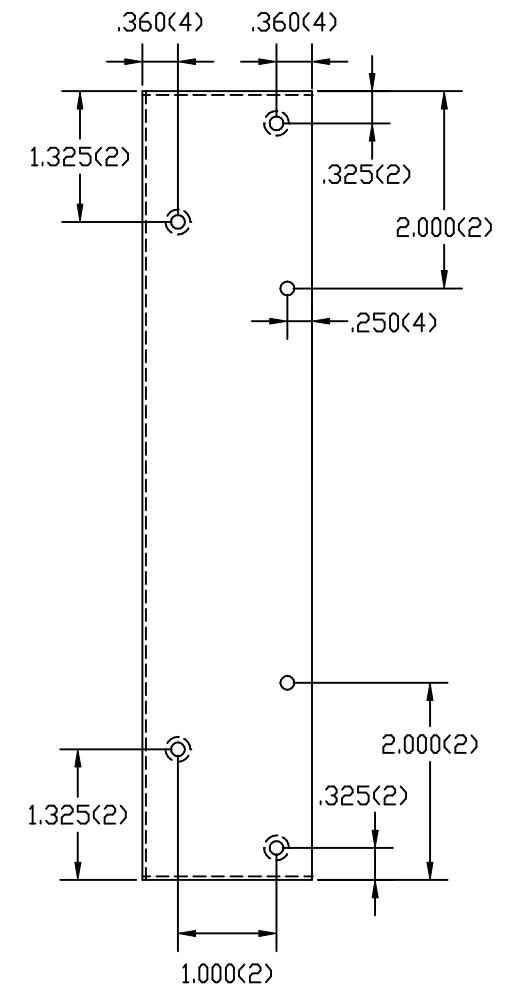
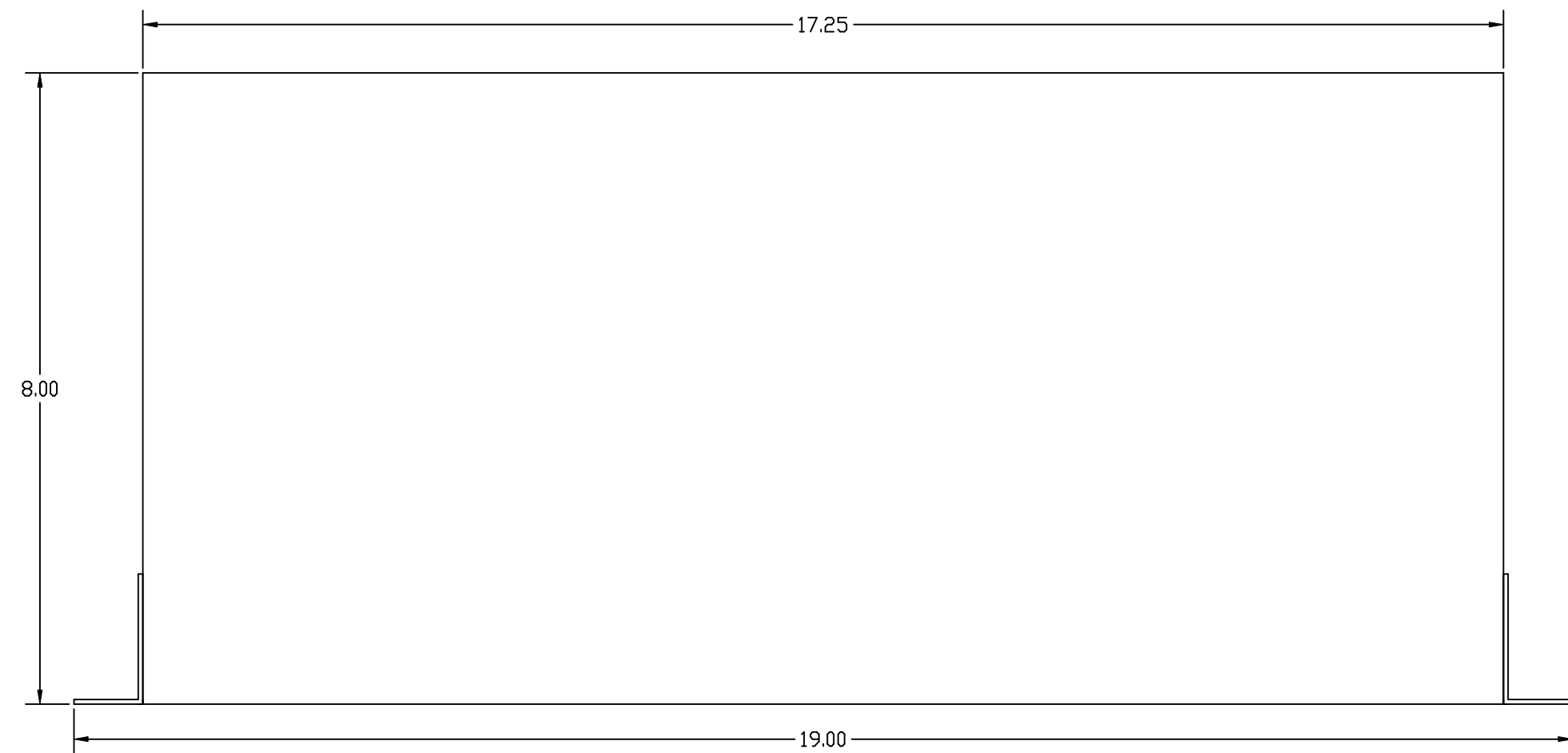


DEVICEMASTER RTS RM16 MECHANICAL DIMENSION DRAWING



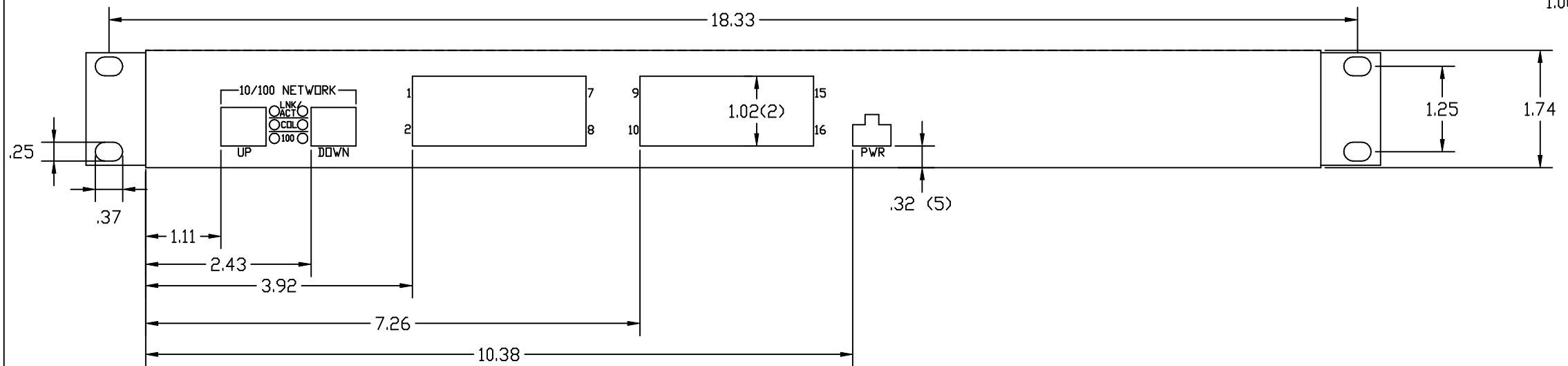
REVISION RECORD					
REV	ECD	DESCRIPTION	DATE	DRFT	APVD
01	N/A	Initial Release	11/18/02	SJL	



UNLESS OTHERWISE SPECIFIED,
DIMENSIONS ARE IN INCHES.

TOLERANCES

.00	.000	ANGLES
±.02	±.005	± 1°



CONTROL CORP.™

TITLE: SPEC MECH DVCMSTR RTS RM16

SIZE B	BY SJL	FILENAME DM_RTS_RM16_SD.DWG	DATE 10/22/02
P/N N/A		REV A	SHEET 1 OF 1