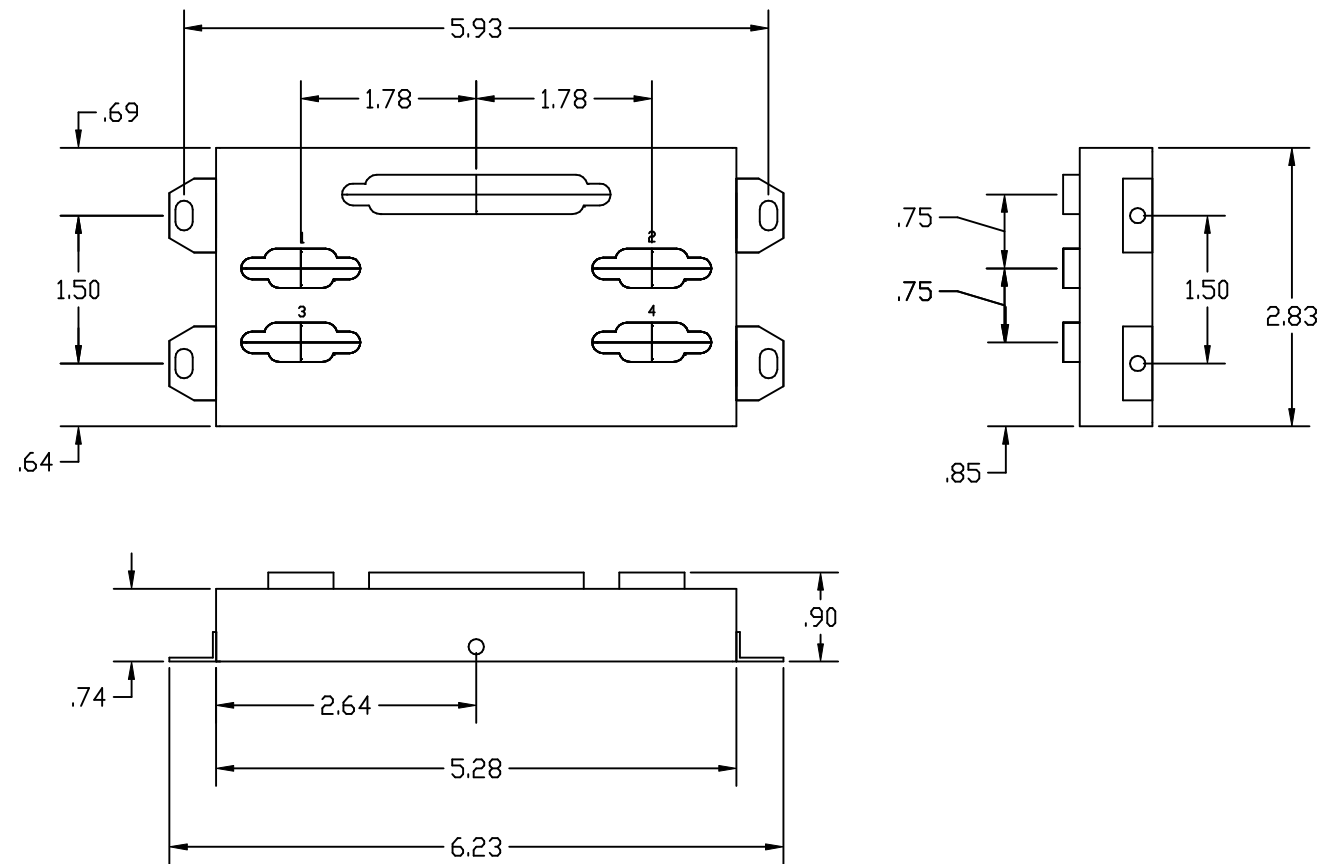
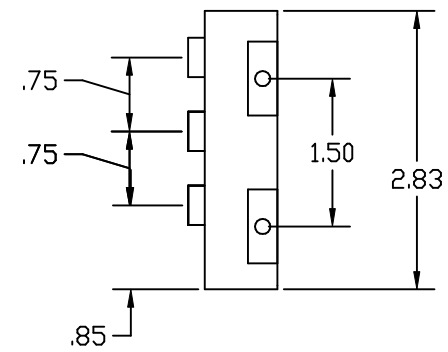


REVISION RECORD

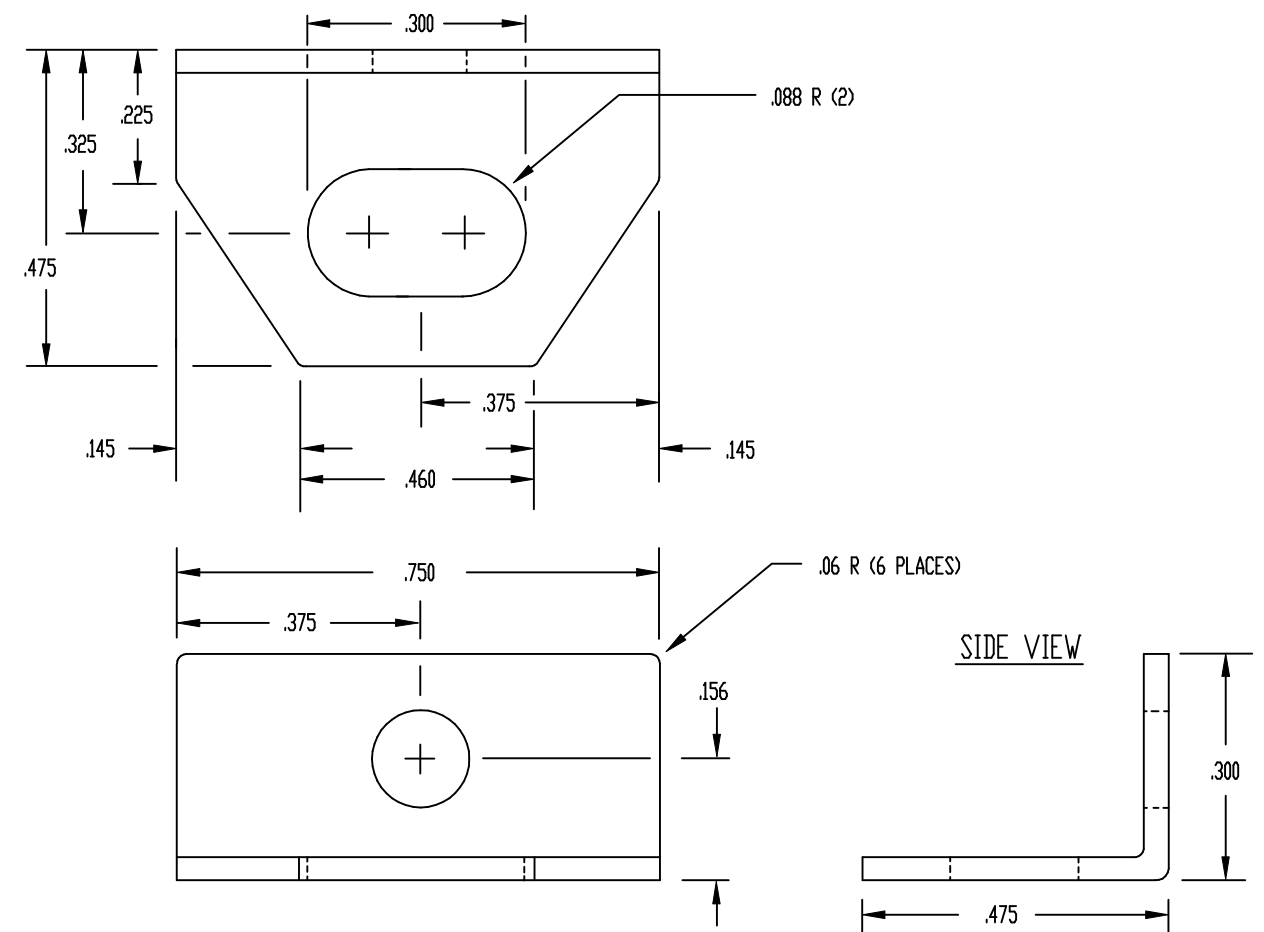
REV	ECO	DESCRIPTION	DATE	DRFT	APVD
01	N/A	Initial Drawing	05/22/07	SJL	




ROCKETPORT INFINITY 4-PORT INTERFACE



CONTROL INTERFACE MOUNTING CLIP



 CONTROL CORP.™			
TITLE RocketPort Infinity 4P Interface Outline			
BY SJL	FILENAME Infinity 4P IFC.dwg	DATE 05/22/07	
P/N	REV 01	SHEET 1 OF 1	