

HIGHLIGHTS

- DIN-rail mounting and screw terminal power connections
- Highly flexible and unique Modbus functionality
- Multiple Modbus master and slave types
- Raw/ASCII Serial and Ethernet device support
- Variable power input eliminates need for power converters
- Dual Ethernet ports for daisy chaining network connections between multiple units
- RoHS Directive 2002/95/EC compliant



DeviceMaster® UP DB9 2-Port 1E and 2E Modbus



The DeviceMaster UP has been designed to meet the demands of today's increasingly diverse Modbus installations.

Control has developed three unique Modbus firmware applications that provide a wide range of Modbus connectivity. Simple connections or complex Modbus networks, you can do it all with a DeviceMaster UP.

Highly flexible and robust, the DeviceMaster UP provides connectivity between a vast array of Modbus controllers and devices. Simplified configuration pages, innovative functionality and informative diagnostic information all make for quick and easy set-up of even the most complex Modbus installations.



SPECIFICATIONS

HARDWARE

Bus Interface Specification	10/100 BaseT
Memory	
SDRAM	8 MB
Flash	4 MB
Enclosure	UL94-V0 Plastic
Installation Method	DIN Rail (35mm)
LED Indicators	Status, Ethernet Link/Activity
Dimensions	
1E	4.6" x 3.9" x 0.9"
2E	4.6" x 3.9" x 1.8"
Product Weight	
1E	4.6 oz
2E	6.5 oz

ELECTRICAL SPECIFICATIONS

Device	
DC Input Voltage	6-30V
Current Consumption (+24VDC)	
1E	65 mA
2E	85 mA
Power Consumption (max.)	
1E	1.56 W
2E	2.0 W
Power Input Redundancy	Dual Redundant Power Input
ESD Surge Protection	Provided minimum of 25KV protection for all serial lines. All Ethernet components are rated to 1.5KV magnetic surge protection.

ENVIRONMENTAL SPECIFICATIONS

Air Temperature	
System On	-37° C to 74° C
System Off	-40° C to 85° C
Operating Humidity (Non-Condensing)	5% to 95%
Altitude	0 to 10,000 Feet
Heat Output	
1E	5.3 BTU/Hr
2E	6.8 BTU/Hr
Mean time between failures	
1E	58.8 Years
2E	49.5 Years

SERIAL COMMUNICATIONS

Connector Type	DB9 Male
Number of Ports	2
Software Selectable Interfaces	RS-232, RS-422, RS-485 2-Wire, RS-485 4-Wire (Master/Slave)
Baud Rates	300 to 230.4 Kbps
Receive Buffer	1024 Bytes
Transmit Buffer	256 Bytes
Data Bits	7 or 8
Parity	Odd, Even, None
Stop Bits	1 or 2
Flow Control	Hardware, Software or None

ETHERNET SPECIFICATIONS

Network Protocols	ARP, BOOTP, DHCP, HTTP, ICMP, Ping, RARP, RFC 1006 (ISO over TCP), RFC 2217, SNMP (MIB-II), TCP/IP, Telnet, TFTP, and UDP socket services
Connector Type	RJ45F Auto MDI/MDI-X
Number of Ports	
1E	1
2E	2

INDUSTRIAL PROTOCOLS

Modbus/TCP
EtherNet/IP
PROFINET IO

EXPORT INFORMATION

Packaged Shipping Weight	
1E	1.0 lbs
2E	1.1 lbs
Package Dimensions	9.25" x 2.5" x 7.25"
UPC Code	
1E	7-56727-99552-4
2E	7-56727-99562-3
Country of Origin	USA
ECCN	5A992
Schedule B Number	8471.80.1000

REGULATORY APPROVAL MARKS

CE Mark, CTick, CUL, RoHS Certified

REGULATORY STANDARDS

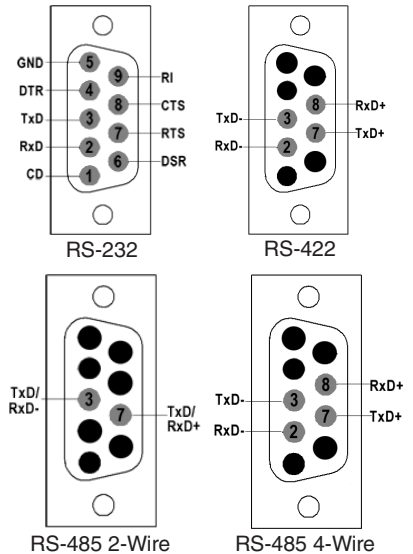
Emissions	FCC PART 15 SUBPART B CLASS A LIMIT AS/NZS CISPR 22 European Standard EN55022 Canadian EMC Requirements ICES-003
Immunity	European Standard EN55024 IEC 1000-4-2/EN61000-4-2: ESD IEC 1000-4-3/EN61000-4-3: RF IEC 1000-4-4/EN61000-4-4: Fast Transient IEC 1000-4-5/EN61000-4-5: Surge IEC 1000-4-6/EN61000-4-6: Conducted Disturbance IEC 1000-4-8/EN61000-4-8: Magnetic Field IEC 1000-4-11/EN61000-4-11: Dips and Voltage Variations
Safety	IEC 60950/EN60950 (RECOGNIZED) CSA C22.2 No. 50/UL60950 Third Edition
Other	European Standard: 2002/95/EC Directive (RoHS) NEMA TS2 Compliant

FEATURES

SNMP Support	Monitoring Only
---------------------	-----------------



2-PORT PIN ASSIGNMENTS



ORDERING INFORMATION

99552-4 DeviceMaster UP DB9 2-Port 1E Modbus
99562-3 DeviceMaster UP DB9 2-Port 2E Modbus

PRODUCT SUPPORT & SERVICE INFORMATION

Warranty Information

Control offers a 30-day satisfaction guarantee and 5-year limited warranty.

Sales Support

+1.763.957.6000
sales@comtrol.com

Technical Support

+1.763.957.6000
www.comtrol.com/support

Email, FTP, and Web Support

info@comtrol.com
ftp.comtrol.com
www.comtrol.com